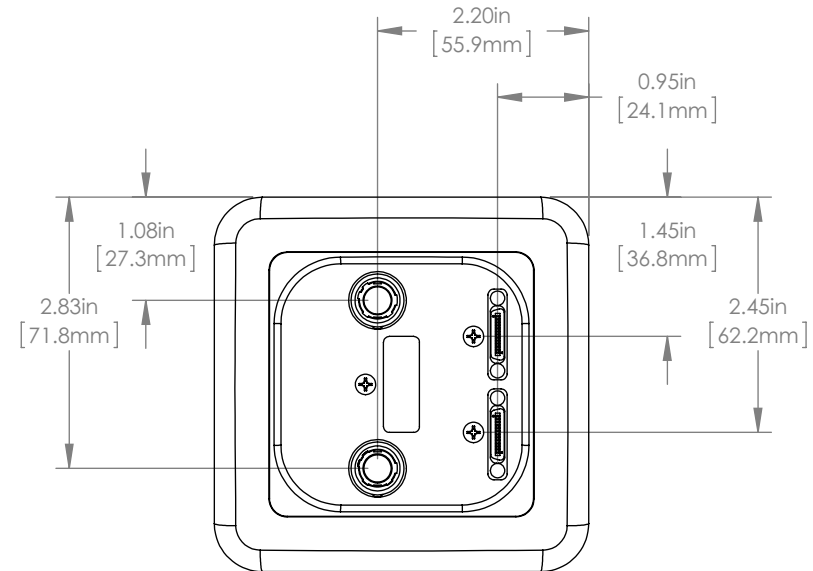
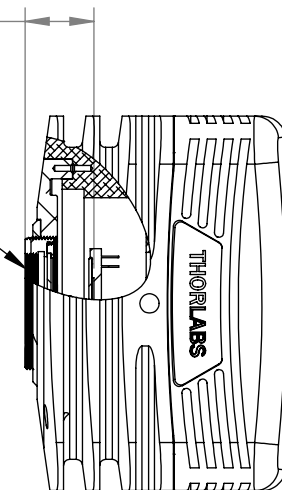


MAX. 0.76in  
MIN. 0.68in  
[19.2mm]  
[17.2mm]  
ADJUSTABLE  
CCD IMAGE PLANE

1.000\"/>



REFER TO USERS MANUAL  
FOR INTERCONNECT DETAILS

DRAWING PROJECTION

	NAME	DATE
DRAWN	J.O.	3/16/16
APPROVAL	M.P.	3/16/16

COPYRIGHT © 2016 BY THORLABS

VALUES IN PARENTHESIS ARE CALCULATED AND MAY CONTAIN ROUND OFF ERRORS

**THORLABS**  
www.thorlabs.com

DIGITAL SCIENTIFIC CAMERA

MATERIAL	N/A	REV A
----------	-----	----------

ITEM #	APPROX WEIGHT
8051M-CL-TE	1.0 kg

FOR INFORMATION ONLY  
NOT FOR MANUFACTURING PURPOSES

ROHS COMPLIANT